

ŠVESTKA

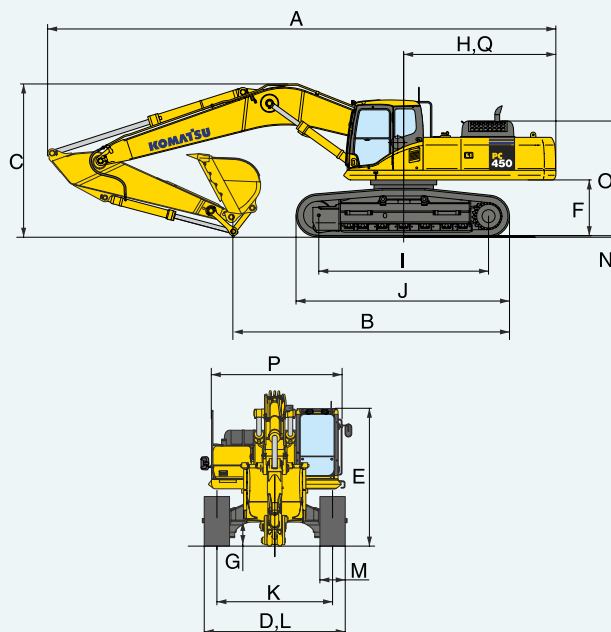
DEMOLICE • ZEMNÍ PRÁCE • NADROZMĚRNÁ PŘEPRAVA • MOBILNÍ JEŘÁBY • DOPRAVA • RECYKLACE

KOMATSU® PC450LC-7



DIMENSIONS

Arm length		3380 mm 11'1"	
		PC450-7	PC450LC-7
A	Overall length	12040 mm 39'6"	12040 mm 39'6"
B	Length on ground	6540 mm 21'5"	6705 mm 22'0"
C	Overall height (to top of boom)	3660 mm 12'0"	3660 mm 12'0"
D	Overall width	3340 mm 11'0"	3340 mm 11'0"
E	Overall height (to top of cab)	3265 mm 10'9"	3265 mm 10'9"
F	Ground clearance, counterweight	1320 mm 4'4"	1320 mm 4'4"
G	Ground clearance (minimum)	555 mm 1'10"	550 mm 1'10"
H	Tail swing radius	3645 mm 12'0"	3645 mm 12'0"
I	Track length on ground	4020 mm 13'2"	4350 mm 14'3"
J	Track length	5025 mm 16'6"	5355 mm 17'7"
K	Track gauge	2740 mm 9'0"	2740 mm 9'0"
L	Width of crawler	3340 mm 11'0"	3340 mm 11'0"
M	Shoe width	600 mm 23.6"	600 mm 23.6"
N	Grouser height	37 mm 1.5"	37 mm 1.5"
O	Machine cab height	2715 mm 8'11"	2715 mm 8'11"
P	Machine cab width	3145 mm 10'4"	3145 mm 10'4"
Q	Distance, swing center to rear end	3605 mm 11'10"	3605 mm 11'10"



OPERATING WEIGHT (APPROXIMATE)

Operating weight including 7060 mm 23'2" one-piece boom, 3380 mm 11'1" arm, SAE heaped 1.9 m³ 2.49 yd³ bucket, rated capacity of lubricants, coolant, full fuel tank, operator, and standard equipment.

Shoes	PC450-7		PC450LC-7	
	Operating Weight	Ground Pressure	Operating Weight	Ground Pressure
600 mm 23.6"	43000 kg 94,800 lb	81.4 kPa 0.83 kgf/cm ² 11.8 psi	44000 kg 97,000 lb	77.5 kPa 0.79 kgf/cm ² 11.2 psi
700 mm 27.6"	43420 kg 95,720 lb	69.6 kPa 0.71 kgf/cm ² 10.1 psi	44450 kg 97,990 lb	66.7 kPa 0.68 kgf/cm ² 9.67 psi