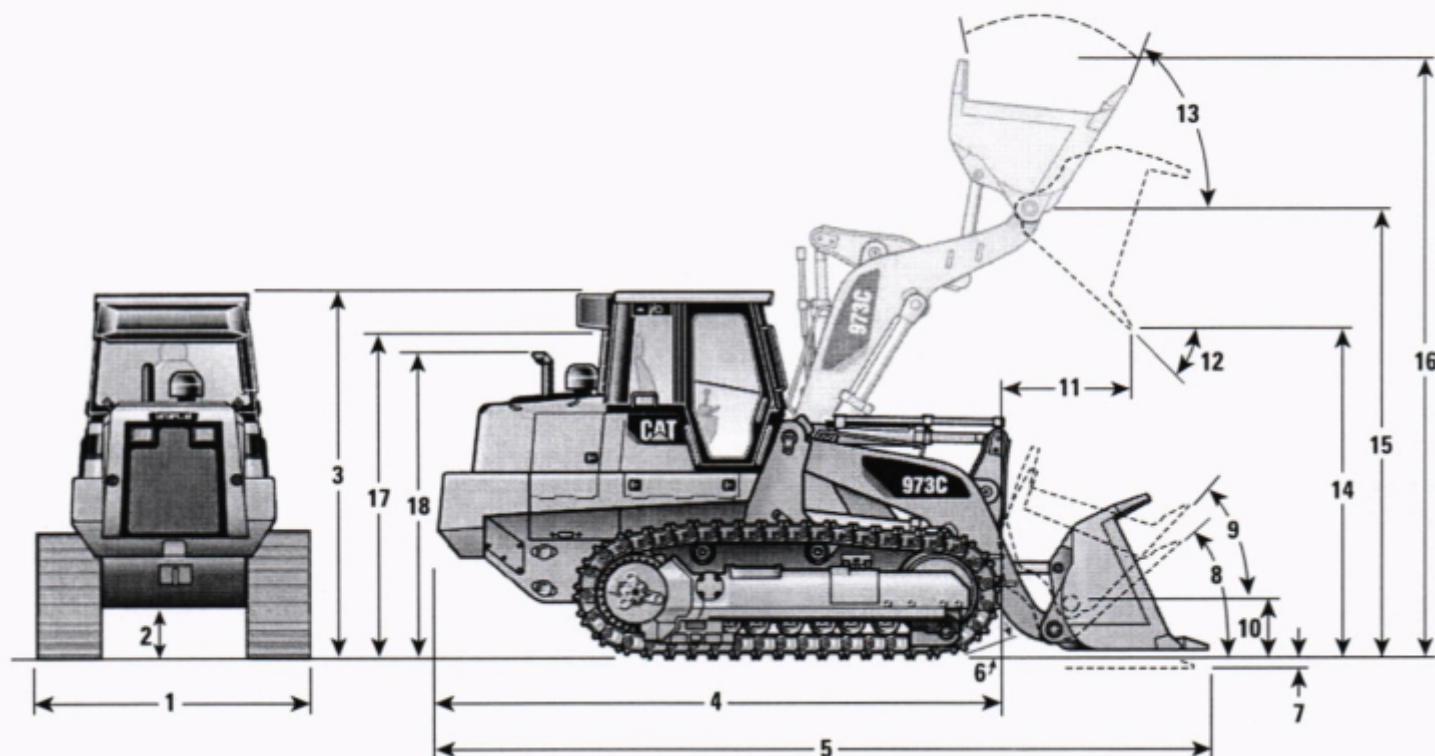


ŠVESTKA

DEMOLICE • ZEMNÍ PRÁCE • NADROZMĚRNÁ PŘEPRAVA • MOBILNÍ JEŘÁBY • DOPRAVA • RECYKLACE

Dimensions CAT 973C

All dimensions are subject to change without notice.



1	Overall machine width without bucket:	
	with standard tracks – 500 mm (19.7 in shoes)	2580 mm (102 in)
	with wide tracks – 675 mm (26.6 in shoes)	2755 mm (108.46 in)
2	Ground clearance from face of shoe	457 mm (17.9 in)
	Grading angle	69°
3	Machine height to top of cab	3500 mm (137.8 in)
4	Length to front of track	5178 mm (203.8 in)
5	Overall machine length	◆
6	Carry position approach angle	15°
7	Digging depth	◆
8	Maximum rollback at ground	◆
9	Maximum rollback at carry position	◆
10	Bucket height in carry position	◆
11	Reach at full lift height	◆
12	S.A.E. specified dump angle	45° (46° max.)
13	Maximum rollback, fully raised	58°
14	Dump clearance at full lift height and 45° discharge	◆
15	Height to bucket hinge pin	4235 mm (166.7 in)
16	Overall machine height, bucket fully raised	◆
17	Height to top of seat with headrest	2970 mm (117 in)
18	Height to top of stack	2989 mm (118 in)

◆ Dimensions vary with bucket. Refer to Operating Specifications chart.