

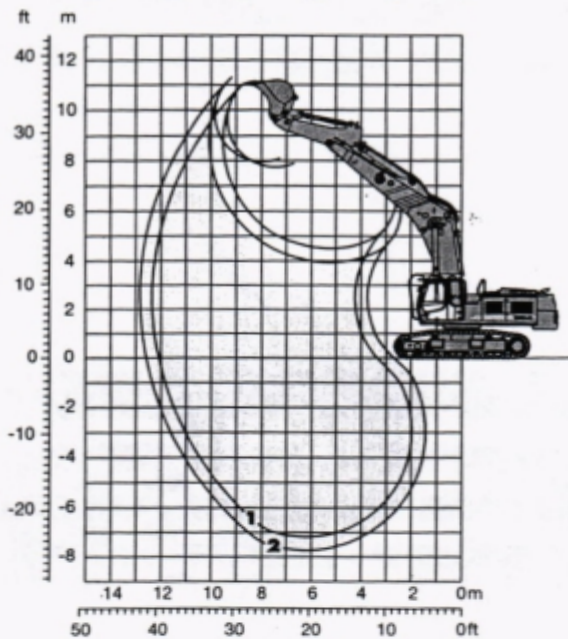
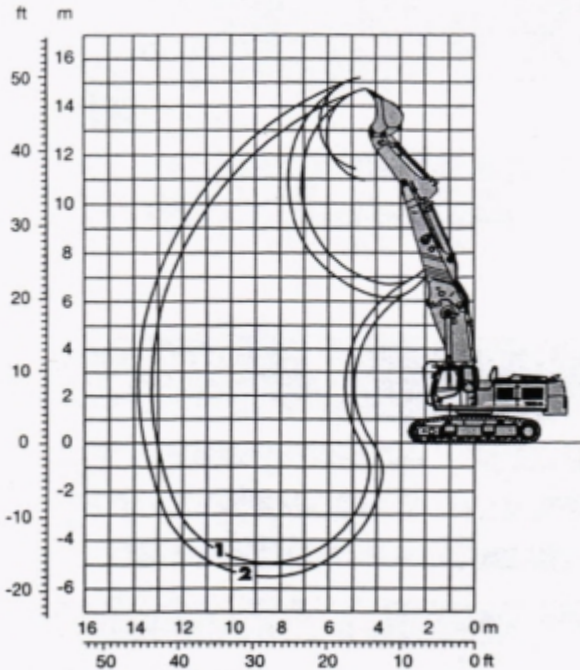
# ŠVESTKA

DEMOLICE · ZEMNÍ PRÁCE · NADROZMĚRNÁ PŘEPRAVA · MOBILNÍ JEŘÁBY · DOPRAVA · RECYKLACE

## Backhoe Attachment

Liebherr R954C

with Main Boom 5,50 m



### For backhoe application, following items are required

- Main boom 5,50 m
- Stick HD 2,35 m
- Stick HD 2,90 m
- Supports for backhoe attachment

### Optional

- Hydraulic lines AHS\* for basic boom 5,50 m
- Hydraulic lines AHS\* for stick HD 2,35 m
- Hydraulic lines AHS\* for stick HD 2,90 m
- Hydraulic lines rotary drive for basic boom 5,50 m
- Hydraulic lines rotary drive for stick HD 2,35 m
- Hydraulic lines rotary drive for stick HD 2,90 m
- Backhoe bucket – as required
- Storage racks with catwalks for backhoe attachment

\* AHS = hydraulic control for hydraulic accessor

### Digging Envelope Main Boom pinned in upper (in lower) bearing

	1	2
Stick lengths	2,35	2,90
Max. digging depth	4,95 ( 7,20)	5,50 ( 7,75)
Max. reach at ground level	13,05 (12,10)	13,60 (12,60)
Max. dump height	10,95 ( 7,75)	11,40 ( 7,95)
Max. teeth height	14,70 (11,05)	15,15 (11,30)
Digging force SAE	233/23,8	206/21,0
Digging force ISO	248/25,8	217/22,1
Breakout force SAE	269/27,4	269/27,4
Breakout force ISO	313/31,9	313/31,9

Max. breakout force ISO 345 kN (35,2 t)

### Operating Weight and Ground Pressure

Operating weight includes basic machine with counterweight 9,0 t main boom 5,50 m, stick HD 2,35 m and backhoe bucket HD 1,65 m<sup>3</sup> (2500 kg).

Undercarriage	HD	V	S-HD	HD-EW	V-HDW
Pad width	600	600	600	600	600
Weight	54900	57900	59700	63300	66500
Ground pressure	0,96	1,02	1,07	1,06	1,12

### Backhoe Bucket<sup>1)</sup>

Cutting width	mm	1350	1550	1750	1950
Capacity ISO 7451	m <sup>3</sup>	1,65	2,00	2,35	2,70
Max. material weight					
HD-Undercarriage	t/m <sup>3</sup>	1,2	-	-	-
V-/S-HD-Undercarriage	t/m <sup>3</sup>	1,5	1,2	-	-
HD-EW-/V-HDW-/VH-HD-Undercarriage	t/m <sup>3</sup>	1,8	1,8	1,8	1,5
Weight HD backhoe bucket	kg	2500	2800	3050	3300
<b>For machine stability per ISO 10567 the max. stick length is:</b>					
HD-Undercarriage	m	2,35	-	-	-
V-/S-HD-Undercarriage	m	2,35	2,35	-	-
HD-EW-/V-HDW-/VH-HD-Undercarriage	m	2,90	2,90	2,35	2,35

<sup>1)</sup> with Esco teeth 61 (appropriate for materials above classification 6, per VOB, Section C, DIN 18300)